

Product Specification

Ceramic Ferrule, SC Type, SM & MM

Product Feature:

- High precision and reliability
- Excellent strength and durability and anti-aging performance
- Various kind of ferrule and end faces.

Note:

- Suitable for SC & FC optic fiber connectors



Product Selection

Ferrule Type- End Face- Flange-Mode

Ceramic Ferrule Type	End face	Flange	Mode
SC	APC	Without	SM
	UPC	With	MM

1.1 Specification chart (example: SC/UPC)

ϕD	125.0
	125.3
	126.0

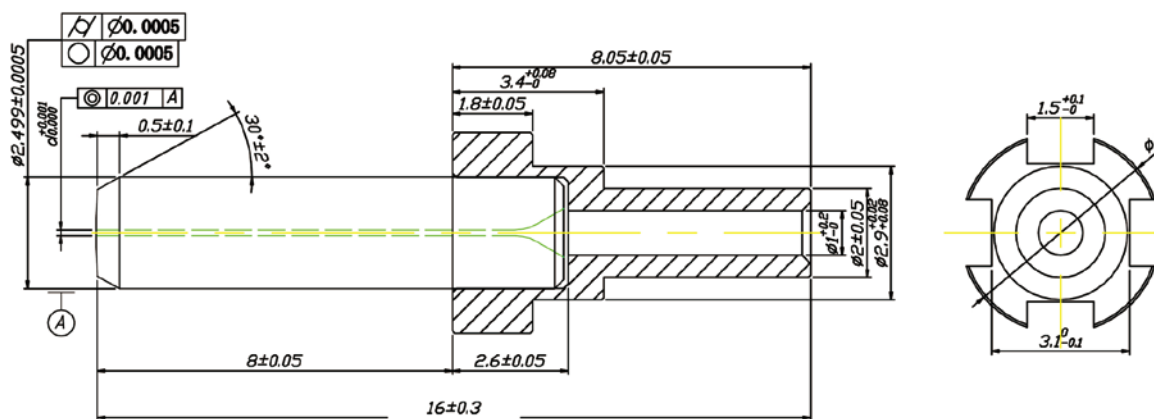


Figure 1

1.2 Typical Parameters

Model	SC	LC	APC	MU
Outer Diameter (mm)	SM : 2.499±0.0005	1.249±0.0005	2.499±0.0005	1.249±0.0005
	MM : 2.4999±0.002	1.249±0.001		
Inner Diameter (mm)	SM: $d_{-0}^{+0.001}$	$d_{-0}^{+0.001}$	$d_{-0}^{+0.001}$	$d_{-0}^{+0.001}$
	MM: $d_{-0}^{+0.002}$	0.126 $_{-0}^{+0.004}$		
concentricity (um)	SM : ≤1.0	≤1.0	≤1.0	≤1.0
	MM : ≤4.0	≤4.0		
Length (mm)	SM : 10.5±0.05	6.4	10.5±0.05	6.5±0.05
	MM : 10.5±0.1			

Figure 2

1.3 Product Label

Product	Optic Fiber Ceramic Ferrule
Spec.	SC/APC
Value	0.5 Concentricity
Qty.	100Pcs

Figure 3, Size: 50x20mm

1.3 Product Packing Detail

Product Type	Product packing	Outer box size(mm)
PC/APC	Plastic plate: 100pcs	39x33.5x23(20000pcs)

Figure 4

1.3-1 Product Packing(sample)



Figure 5